

PLAN VIEW

NOTES:

1. ALL AXLES, ROLLERS AND PIVOT POINTS ARE EQUIPPED WITH LIFETIME LUBRICATED BEARINGS.
2. LIFT TO BE PAINTED AQ STANDARD ENAMEL.
3. MAX. COIL SIZE _____ " DIA. X _____ " LONG.
4. 40 FPM (APPROX.) TRAVERSE SPEED.
5. MEETS OR EXCEEDS ANSI MH29.1 STANDARD FOR INDUSTRIAL SCISSORS LIFTS.

THIS PROPOSAL DRAWING IS GENERIC BY DESIGN AND IS FOR REFERENCE ONLY. PLEASE CONTACT AUTOQUIP FOR JOB SPECIFIC APPROVAL DRAWINGS.

MODEL NO: _____

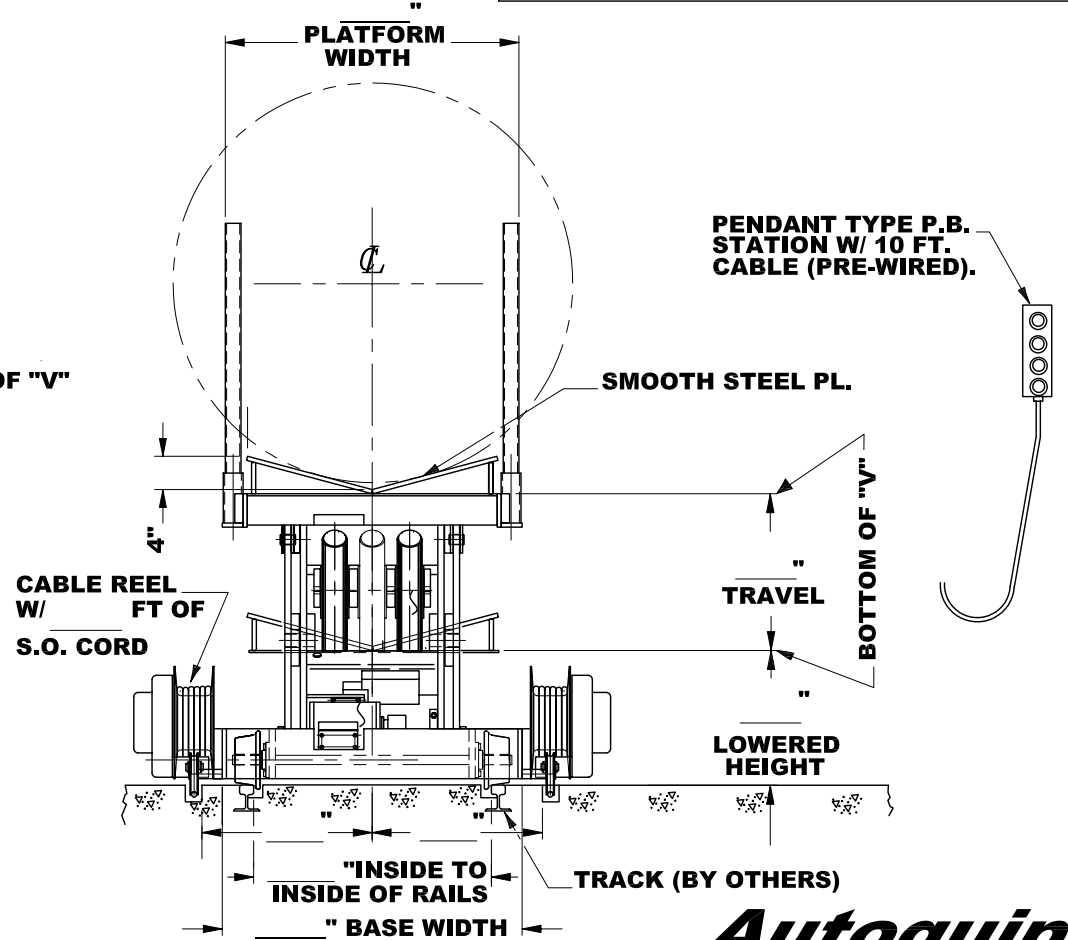
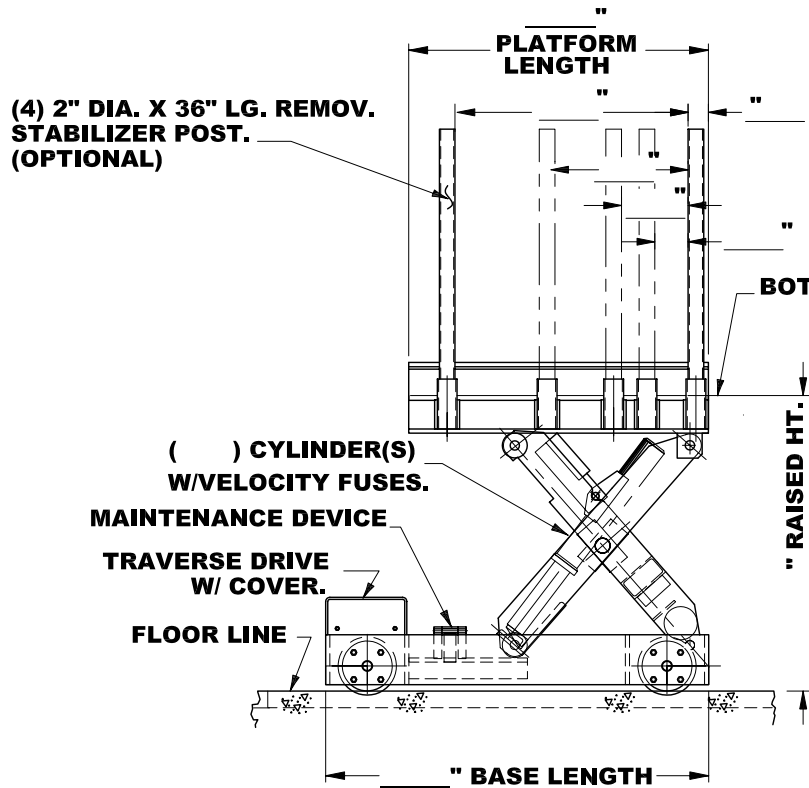
MAX CAPACITY: _____

LOWERED HEIGHT: _____

TRAVEL: _____

RAISED HEIGHT: _____

POWER UNIT, CONTROLS, AND ACCESSORIES PER QUOTATION.



(NOT TO SCALE)
PROPOSAL DRAWING
QUOTE NO. _____

**TROJAN COIL CAR W/ V-DECK
(INBOARD DRIVE)**

82600340 REV. 2, 5-24-02

© COPYRIGHT RESERVED
AUTOQUIP CORPORATION
2002



AUTOQUIP CORP.
1058 W.INDUSTRIAL AVE.
GUTHRIE, OK 73044-1058
888-811-9876 WWW.AUTOQUIP.COM