

MANDREL END OF LIFT

PLAN VIEW

NOTES:

1. ALL AXLES, ROLLERS AND PIVOT POINTS EQUIPPED WITH LIFETIME LUBRICATED BEARINGS.
2. LIFT TO BE PAINTED AQ STANDARD ENAMEL.
3. MAX. COIL SIZE _____ " DIA. X _____ " LONG.
4. 40 FPM (APPROX.) TRAVERSE SPEED.
5. MEETS OR EXCEEDS ANSI MH29.1 STANDARD FOR INDUSTRIAL SCISSORS LIFTS.

THIS PROPOSAL DRAWING IS GENERIC BY DESIGN AND IS FOR REFERENCE ONLY. PLEASE CONTACT AUTOQUIP FOR JOB SPECIFIC APPROVAL DRAWINGS.

MODEL NO: _____

MAX CAPACITY: _____

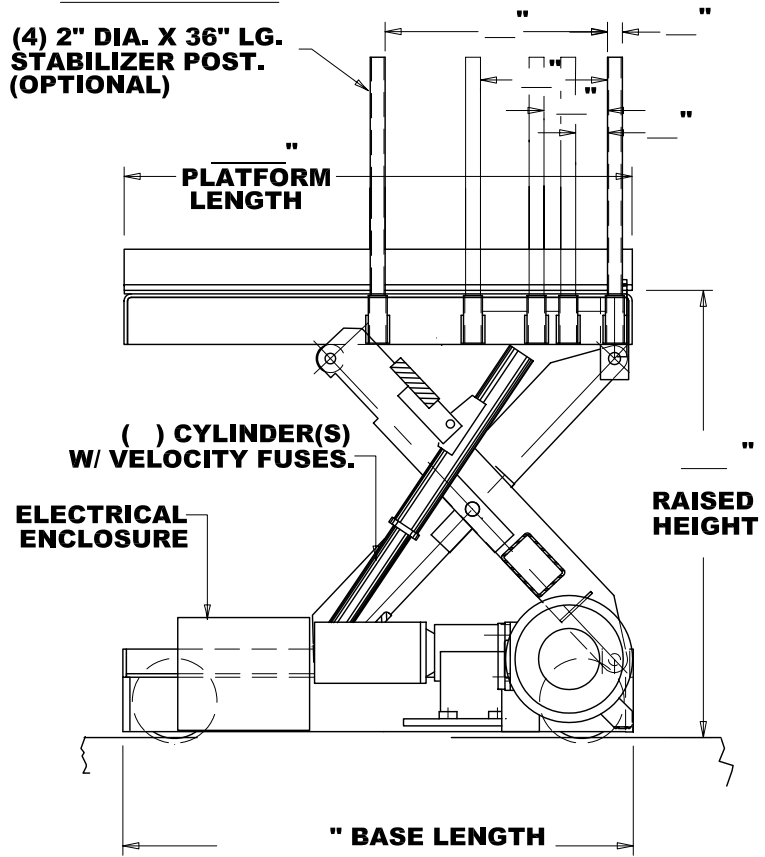
LOWERED HEIGHT: _____

TRAVEL: _____

RAISED HEIGHT: _____

POWER UNIT, CONTROLS, AND ACCESSORIES PER QUOTATION.

(4) 2" DIA. X 36" LG. STABILIZER POST. (OPTIONAL)



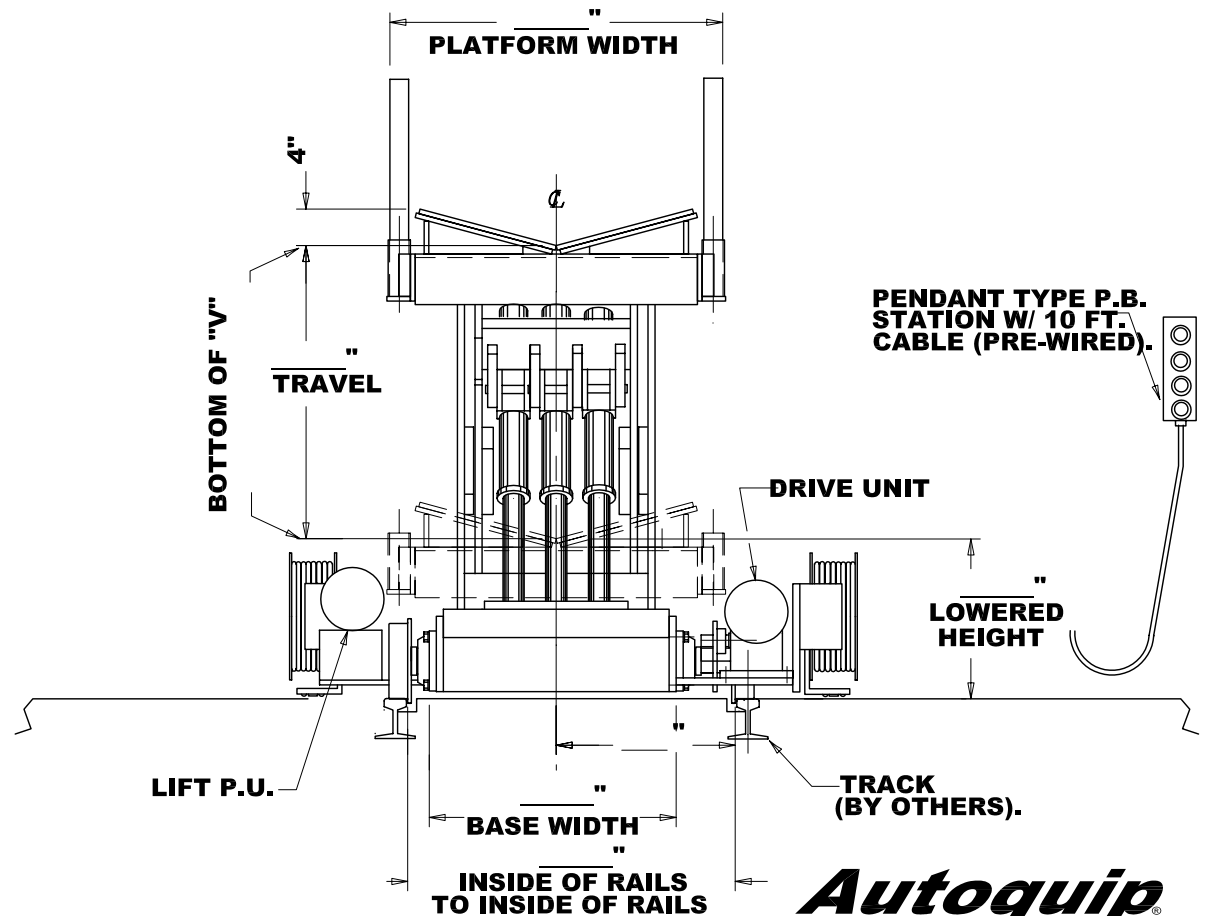
PLATFORM LENGTH

() CYLINDER(S) W/ VELOCITY FUSES.

ELECTRICAL ENCLOSURE

RAISED HEIGHT

BASE LENGTH



PLATFORM WIDTH

4"

TRAVEL

BOTTOM OF "V"

PENDANT TYPE P.B. STATION W/ 10 FT. CABLE (PRE-WIRED).

DRIVE UNIT

LOWERED HEIGHT

LIFT P.U.

BASE WIDTH

TRACK (BY OTHERS).

INSIDE OF RAILS TO INSIDE OF RAILS

(NOT TO SCALE)
 PROPOSAL DRAWING
 QUOTE NO. _____
 82600600

**TROJAN COIL CAR W/ V-DECK
 (OUTBOARD DRIVE)**

© COPYRIGHT RESERVED
 AUTOQUIP CORPORATION
 2001



AUTOQUIP CORP.
 1058 W.INDUSTRIAL AVE.
 GUTHRIE, OK 73044-1058
 888-811-9876 WWW.AUTOQUIP.COM