

82602500

NOTES:

1. ALL PIVOT POINTS ARE EQUIPPED WITH LIFETIME LUBRICATED, HIGH IMPACT BEARINGS.
2. 2000 PSI MAXIMUM OPERATING PRESSURE.
3. LIFT TO BE PAINTED AQ STANDARD ENAMEL.
4. MEETS OR EXCEEDS ANSI MH29.1 STANDARD FOR INDUSTRIAL SCISSORS LIFTS.

THIS PROPOSAL DRAWING IS GENERIC BY DESIGN AND IS FOR REFERENCE ONLY. PLEASE CONTACT AUTOQUIP FOR JOB SPECIFIC APPROVAL DRAWINGS.

MODEL NO: _____

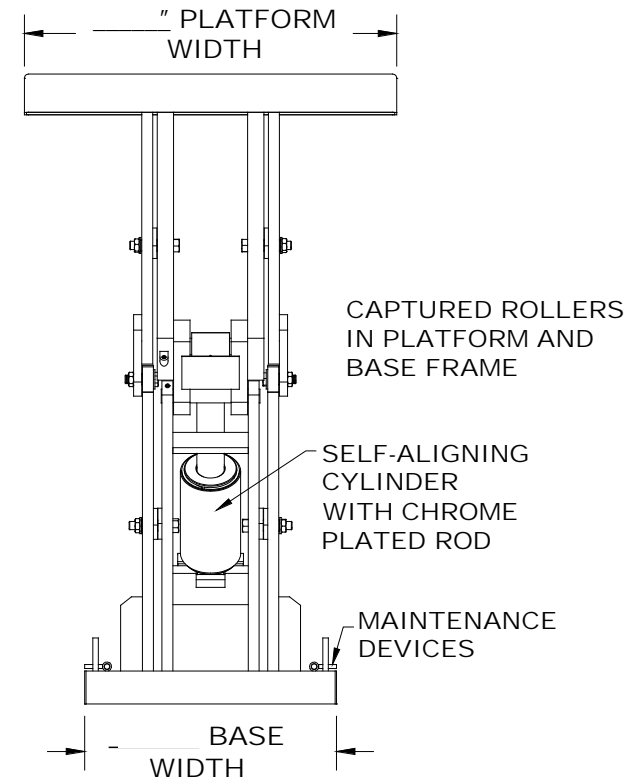
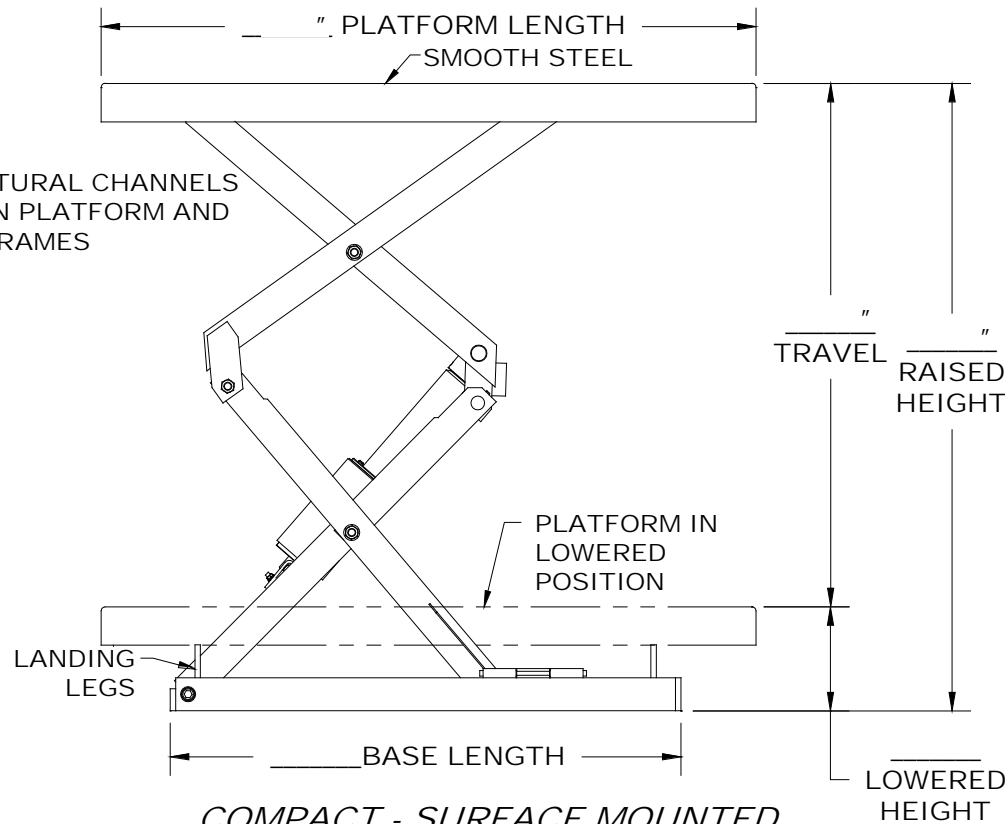
MAX CAPACITY: _____

LOWERED HEIGHT: _____

TRAVEL: _____

RAISED HEIGHT: _____

POWER UNIT, CONTROLS, AND ACCESSORIES PER QUOTATION.



COMPACT - SURFACE MOUNTED
SHORT FRAME - OVERSIZED PLATFORM SIZE

PROPOSAL DRAWING
QUOTE NO. _
 82602500

© **COPYRIGHT RESERVED**
AUTOQUIP CORPORATION
 2010

American Lifts™
BY AUTOQUIP CORP.
1058 W.INDUSTRIAL AVE.
GUTHRIE, OK 73044-1058
888-811-9876 WWW.AUTOQUIP.COM