

82602480

NOTES:

1. ALL PIVOT POINTS ARE EQUIPPED WITH LIFETIME LUBRICATED, HIGH IMPACT BEARINGS.
2. 2000 PSI MAXIMUM OPERATING PRESSURE.
3. LIFT TO BE PAINTED AQ STANDARD ENAMEL.
4. MEETS OR EXCEEDS ANSI MH29.1 STANDARD FOR INDUSTRIAL SCISSORS LIFTS.

MODEL NO: _____

MAX CAPACITY: _____

LOWERED HEIGHT: _____ "

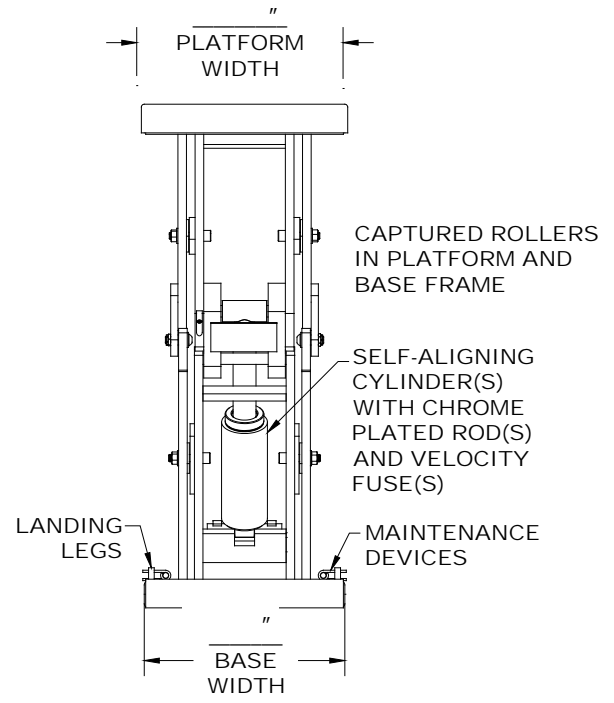
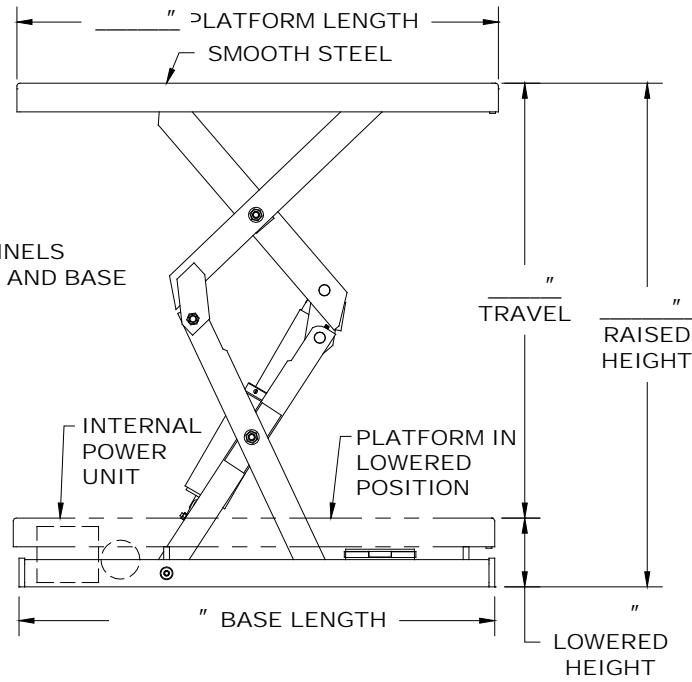
TRAVEL: _____ "

RAISED HEIGHT: _____ "

POWER UNIT, CONTROLS, AND ACCESSORIES PER QUOTATION.

THIS PROPOSAL DRAWING IS GENERIC BY DESIGN AND IS FOR REFERENCE ONLY. PLEASE CONTACT AUTOQUIP FOR JOB SPECIFIC APPROVAL DRAWINGS.

STRUCTURAL CHANNELS USED IN PLATFORM AND BASE FRAMES



COMPACT - SURFACE MOUNTED
LONG FRAME - MINIMUM PLATFORM SIZE

PROPOSAL DRAWING
QUOTE NO. _____
82602480

© COPYRIGHT RESERVED
AUTOQUIP CORPORATION 888-811-9876 WWW.AUTOQUIP.COM
2010

American Lifts™

BY AUTOQUIP CORP.
1058 W. INDUSTRIAL AVE.
GUTHRIE, OK 73044-1058