

82602520

NOTES:

1. ALL PIVOT POINTS ARE EQUIPPED WITH LIFETIME LUBRICATED, HIGH IMPACT BEARINGS.
2. 2000 PSI MAXIMUM OPERATING PRESSURE.
3. LIFT TO BE PAINTED AQ STANDARD ENAMEL.
4. MEETS OR EXCEEDS ANSI MH29.1 STANDARD FOR INDUSTRIAL SCISSORS LIFTS.

**THIS PROPOSAL DRAWING IS GENERIC BY DESIGN AND IS FOR REFERENCE ONLY. PLEASE CONTACT AUTOQUIP FOR JOB SPECIFIC APPROVAL DRAWINGS.**

**MODEL NO:** \_\_\_\_\_

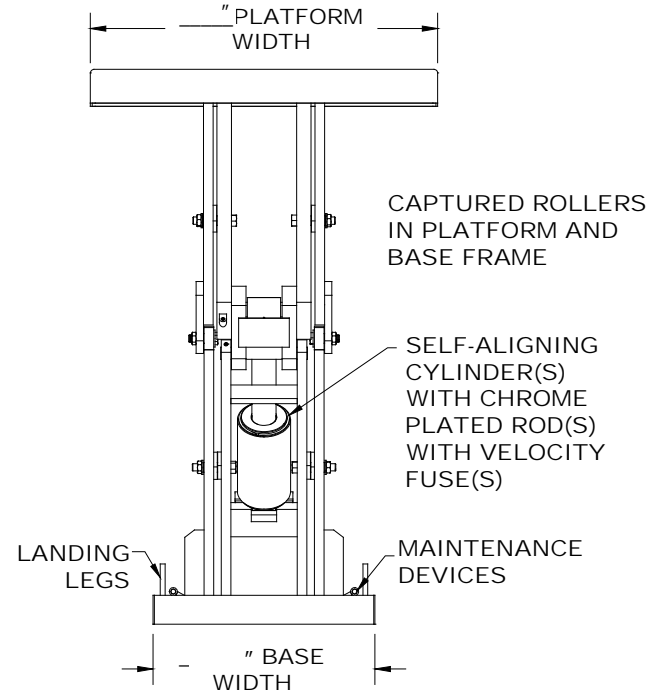
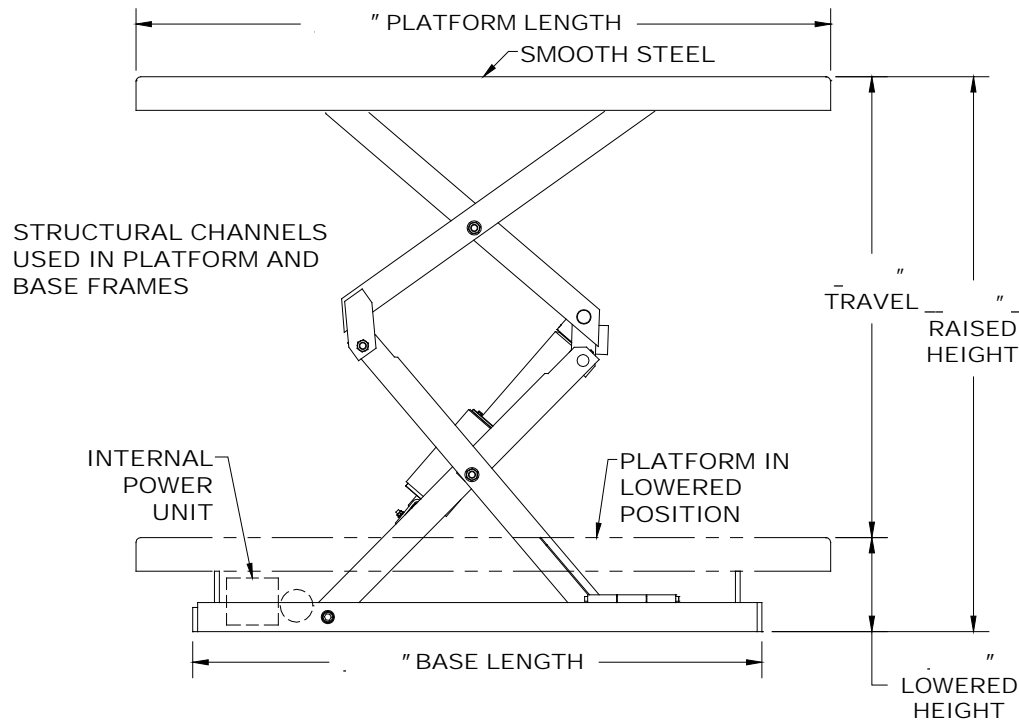
**MAX CAPACITY:** \_\_\_\_\_

**LOWERED HEIGHT:** \_\_\_\_\_ " \_\_\_\_\_

**TRAVEL:** \_\_\_\_\_ " \_\_\_\_\_

**RAISED HEIGHT:** \_\_\_\_\_ " \_\_\_\_\_

**POWER UNIT, CONTROLS, AND ACCESSORIES PER QUOTATION.**



*COMPACT - SURFACE MOUNTED*  
*LONG FRAME - OVERSIZED PLATFORM*

**PROPOSAL DRAWING**  
**QUOTE NO.** \_\_\_\_\_  
 82602520

© COPYRIGHT RESERVED  
 AUTOQUIP CORPORATION  
 2010

**American Lifts™**

**BY AUTOQUIP CORP.**  
**1058 W.INDUSTRIAL AVE.**  
**GUTHRIE, OK 73044-1058**  
**888-811-9876 WWW.AUTOQUIP.COM**