

**NOTES:**

1. ALL AXLES, ROLLERS AND PIVOT POINTS ARE EQUIPPED WITH LIFE-TIME LUBRICATED BEARINGS.
2. LIFT TO BE PAINTED AQ STANDARD ENAMEL.
3. MEETS OR EXCEEDS ANSI MH29.1 STANDARD FOR INDUSTRIAL SCISSORS LIFTS.

**MODEL NO:** \_\_\_\_\_

**MAX CAPACITY:** \_\_\_\_\_

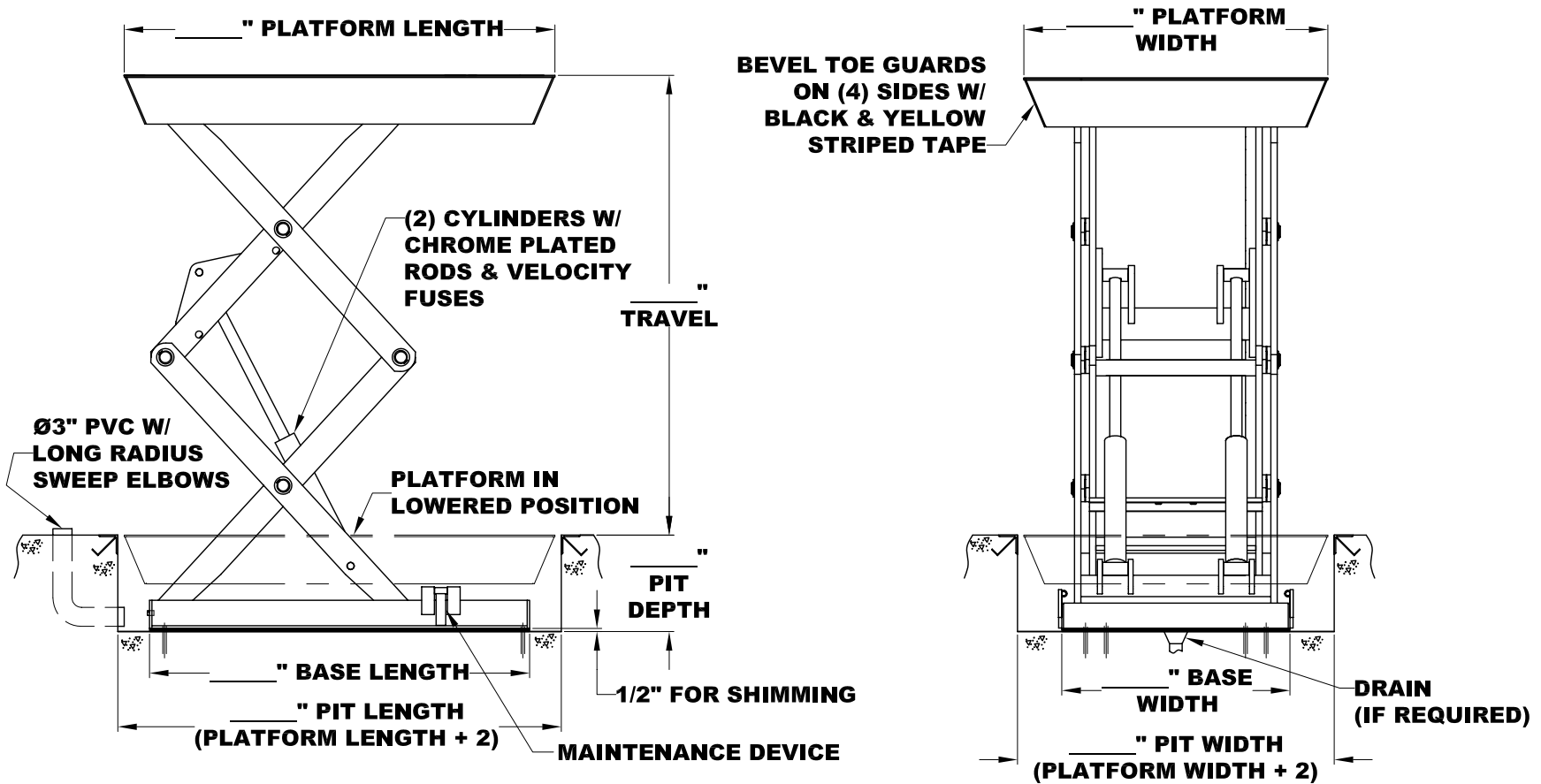
**LOWERED HEIGHT:** \_\_\_\_\_

**TRAVEL:** \_\_\_\_\_

**RAISED HEIGHT:** \_\_\_\_\_

**POWER UNIT, CONTROLS, AND ACCESSORIES PER QUOTATION.**

THIS PROPOSAL DRAWING IS GENERIC BY DESIGN AND IS FOR REFERENCE ONLY. PLEASE CONTACT AUTOQUIP FOR JOB SPECIFIC APPROVAL DRAWINGS.



***PIT MOUNTED DOUBLE PANTOGRAPH (DP) LIFT***



**AUTOQUIP CORP.**  
 1058 W.INDUSTRIAL AVE.  
 GUTHRIE, OK 73044-1058  
 888-811-9876 WWW.AUTOQUIP.COM

(NOT TO SCALE)  
 PROPOSAL DRAWING  
 QUOTE NO. \_\_\_\_\_