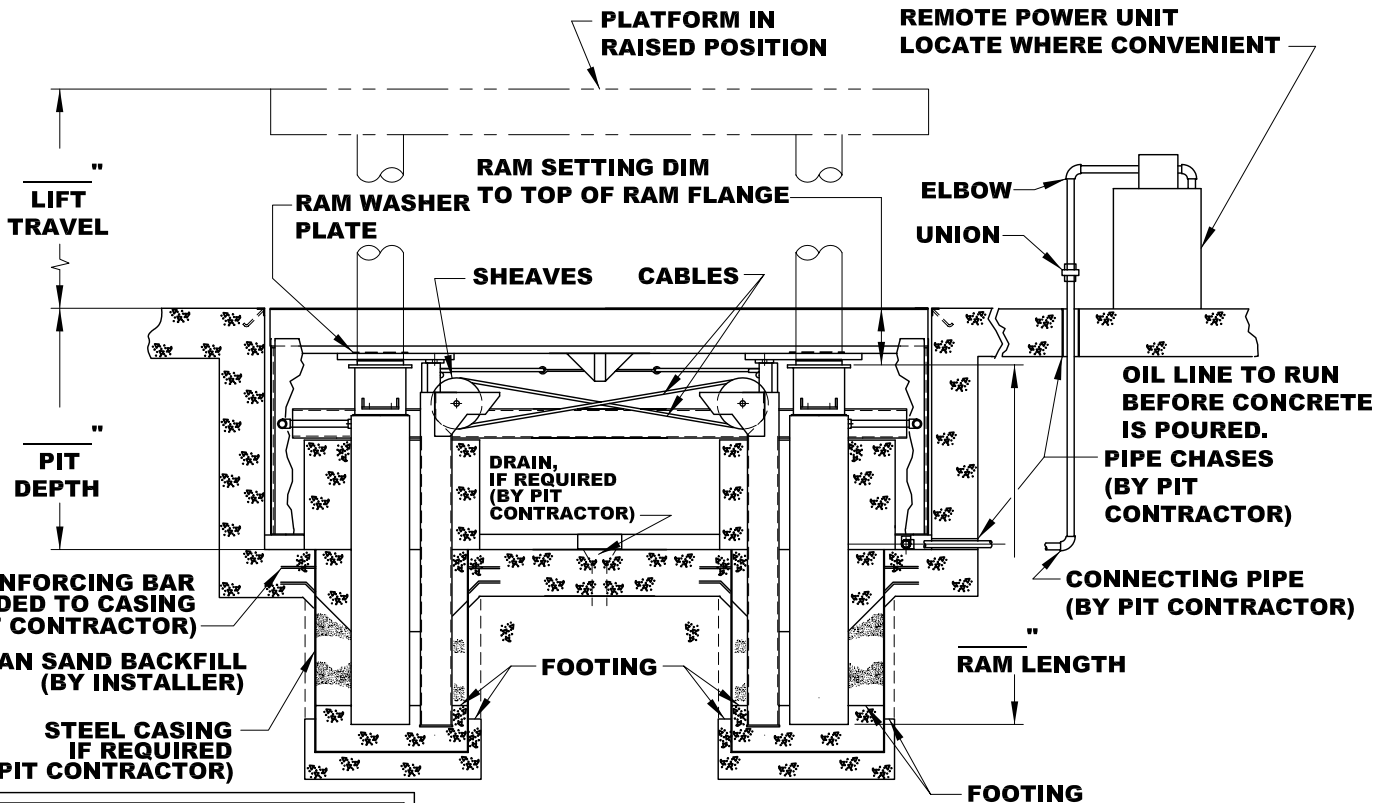
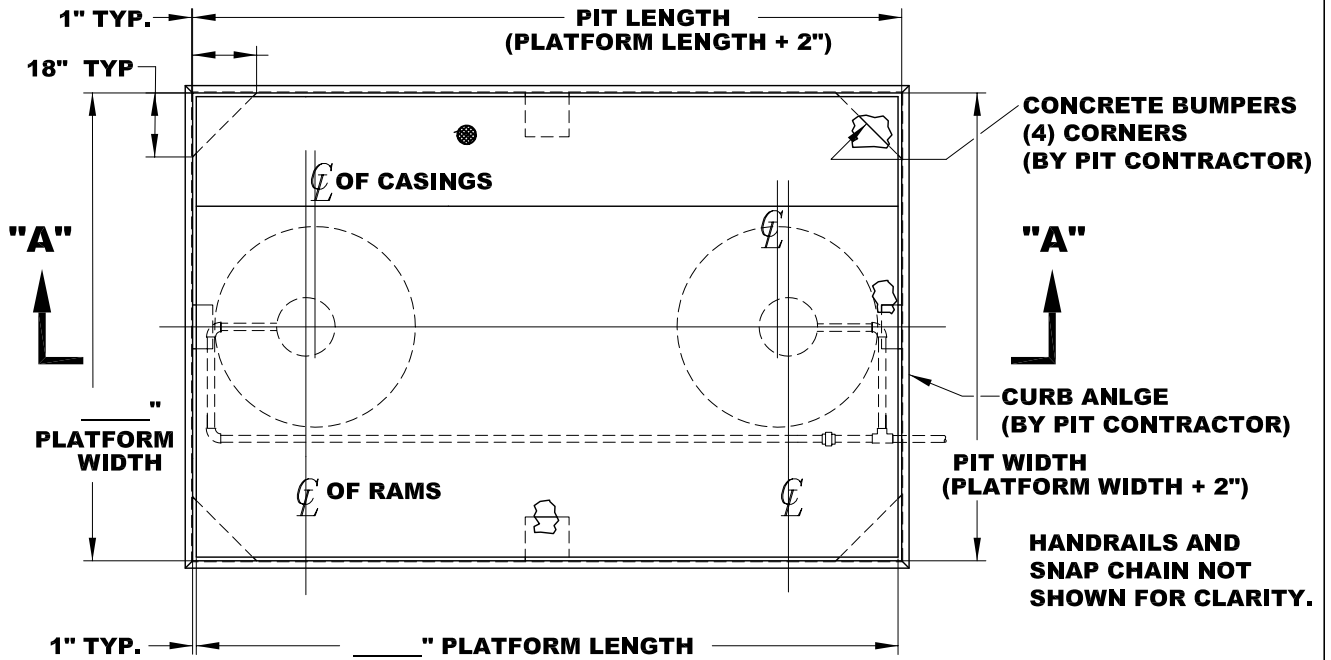


THIS PROPOSAL DRAWING IS GENERIC BY DESIGN AND IS FOR REFERENCE ONLY. PLEASE CONTACT AUTOQUIP FOR JOB SPECIFIC APPROVAL DRAWINGS.



**SECTION A - A**

**AUTOLEVEL PLATFORM - DRAPE  
CABLE EQUALIZED**

(NOT TO SCALE)  
PROPOSAL DRAWING  
QUOTE NO. \_\_\_\_\_  
**82601490**

MODEL NO: \_\_\_\_\_

MAX CAPACITY: \_\_\_\_\_

OTHER CAPACITY: \_\_\_\_\_

RAM SIZE: \_\_\_\_\_

TRAVEL: \_\_\_\_\_

SPEED: \_\_\_\_\_

POWER UNIT, CONTROLS, AND ACCESSORIES PER QUOTATION.

