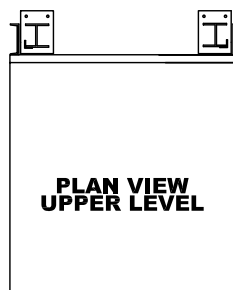
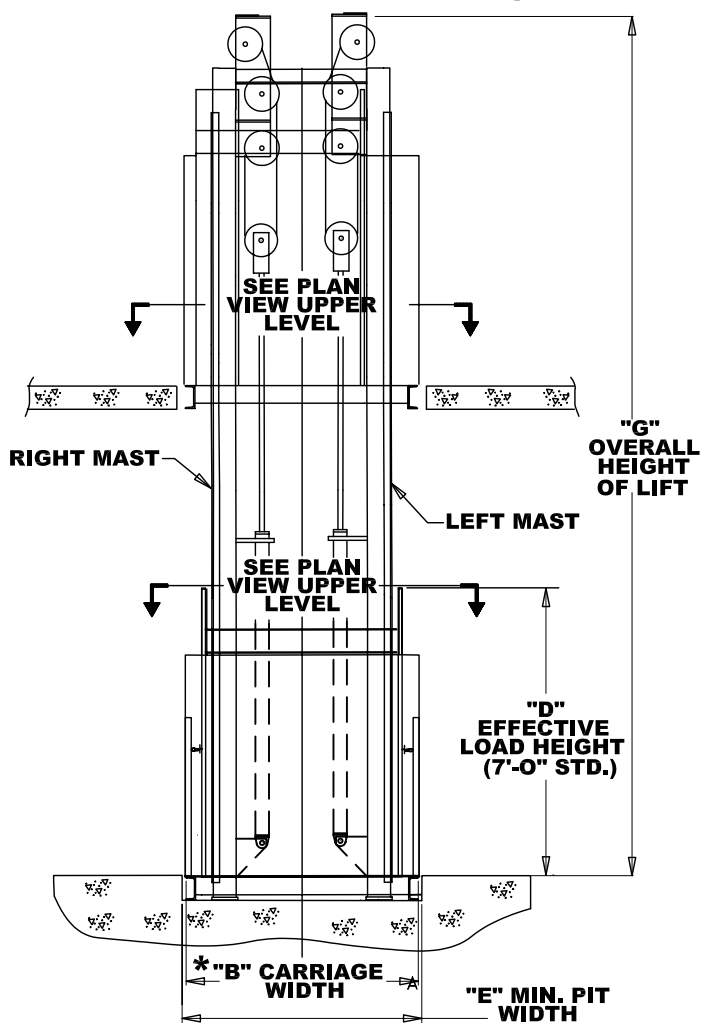
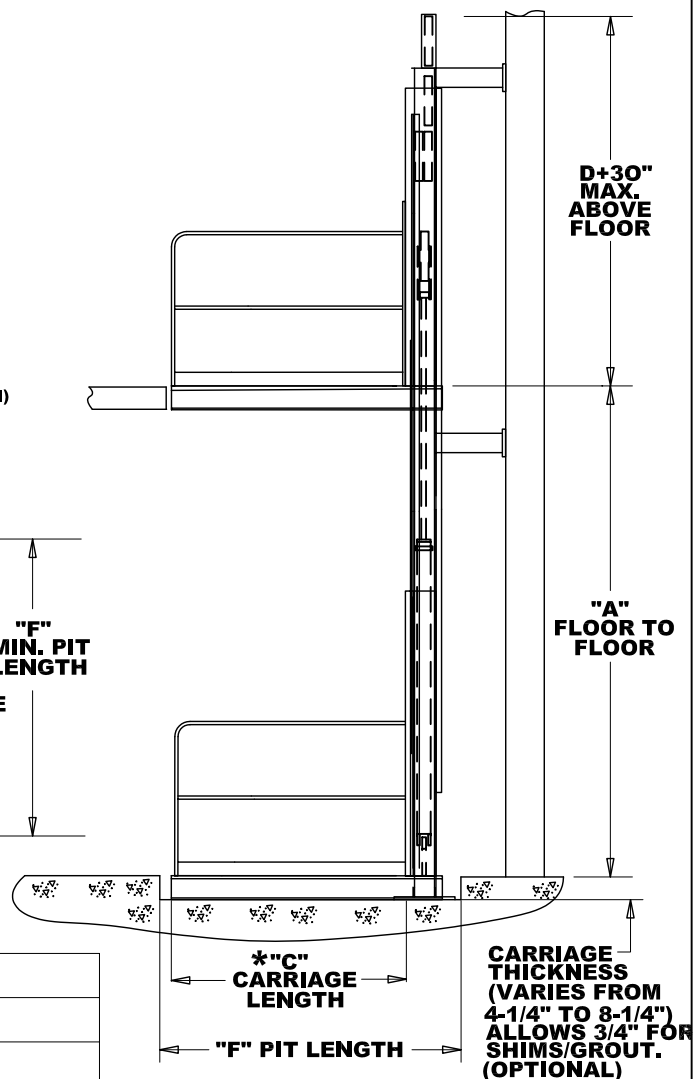
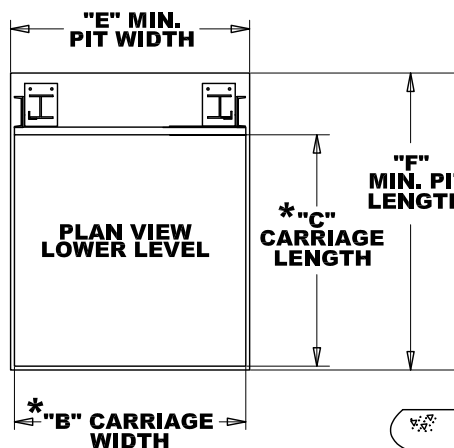


GENERAL ARRANGEMENT APPLICATION DRAWING TYPICAL 2-POST HYDRAULIC CANTILEVER



NOTE: ADDITIONAL ENCLOSURES REQ'D (NOT SHOWN)



CODE COMPLIANCE

AUTOQUIP VERTICAL RECIPROCATING CONVEYORS (VRC'S) MEET ALL DESIGN AND SAFETY REQUIREMENTS SET FORTH IN ASME B20.1. AUTOQUIP GUARANTEES ASSISTANCE IN SECURING CODE COMPLIANCE IN ALL 50 STATES. ULTIMATE RESPONSIBILITY FOR GAINING STATE AND LOCAL CODE APPROVAL IS THE RESPONSIBILITY OF THE BUYER OF THE VRC. PLEASE ACQUAINT YOURSELF WITH THE PERMITTING AND/OR LICENSING EXPENSES AND REQUIREMENTS OF THE LOCAL REGULATORY AGENCIES IN THE INSTALLATION AREA.

THIS PROPOSAL DRAWING IS GENERIC BY DESIGN AND IS FOR REFERENCE ONLY. PLEASE CONTACT AUTOQUIP FOR JOB SPECIFIC APPROVAL DRAWINGS.

PROPOSAL DRAWING
QUOTE NO. _____

(NOT TO SCALE) 82600660 REV. 7-8-04

A
B
C
D

E=B+2"
F=C+16"
G=A+D+30"

*NOTE: ON USABLE CARRIAGE SPACE HANDRAILS AND/OR STANCHIONS ARE LOCATED ON THE CARRIAGE AND TAKE UP 2" OF USABLE CARRIAGE SPACE PER HANDRAIL OR STANCHION.

Autoquip

AUTOQUIP CORP.
1058 W. INDUSTRIAL AVE.
GUTHRIE, OK. 73044-1058
888-811-9876 WWW.AUTOQUIP.COM

© COPYRIGHT RESERVED
AUTOQUIP CORPORATION
2004