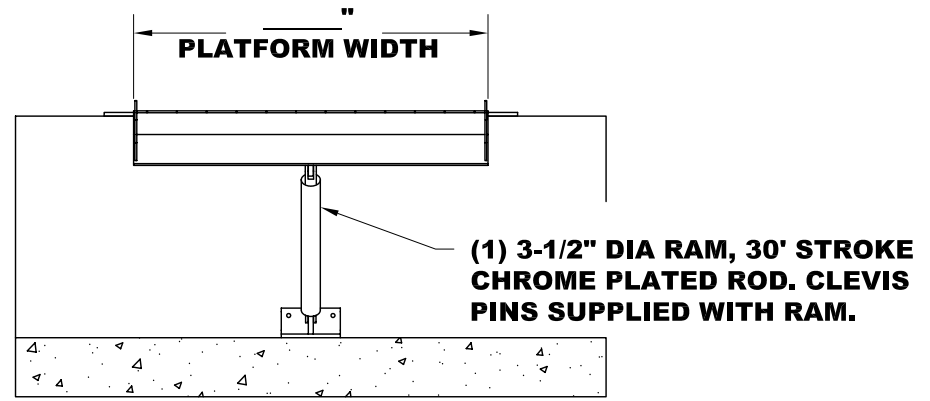
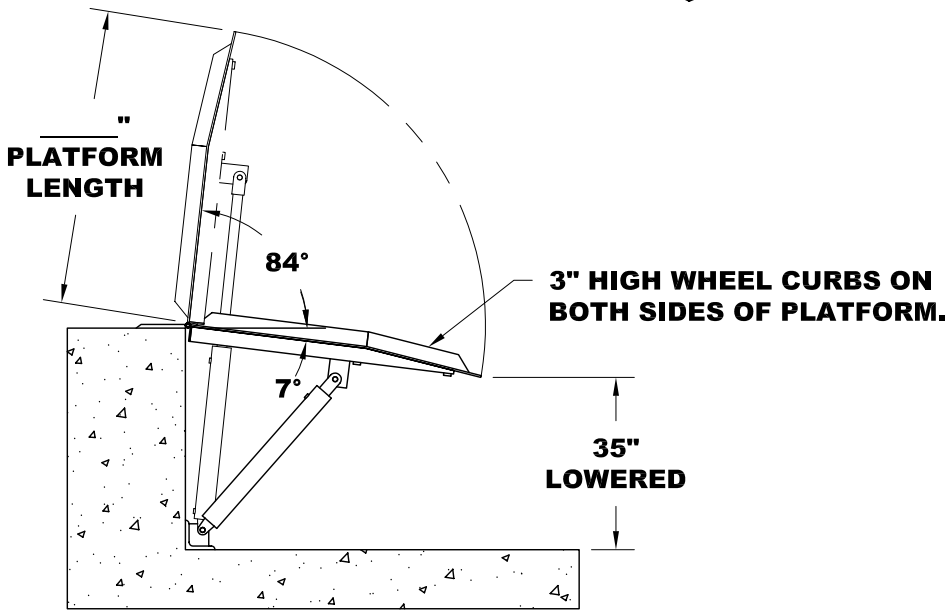


MODEL NO: \_\_\_\_\_  
 MAX CAPACITY: \_\_\_\_\_  
 AXLE LOAD: \_\_\_\_\_  
 PLATF. WIDTH: \_\_\_\_\_  
 PLATF. LENGTH: \_\_\_\_\_

**POWER UNIT, CONTROLS, AND ACCESSORIES PER QUOTATION.**

**THIS PROPOSAL DRAWING IS GENERIC BY DESIGN AND IS FOR REFERENCE ONLY. PLEASE CONTACT AUTOQUIP FOR JOB SPECIFIC APPROVAL DRAWINGS.**

**GUARD AND BUMPERS AVAILABLE UPON REQUEST.**



**MINI - BASCULE BRIDGE**

(NOT TO SCALE)  
 PROPOSAL DRAWING  
 QUOTE NO. \_\_\_\_\_  
 82601180



**AUTOQUIP CORP.**  
 1058 W.INDUSTRIAL AVE.  
 GUTHRIE, OK 73044-1058  
 888-811-9876 WWW.AUTOQUIP.COM

© COPYRIGHT RESERVED  
 AUTOQUIP CORPORATION  
 2001