

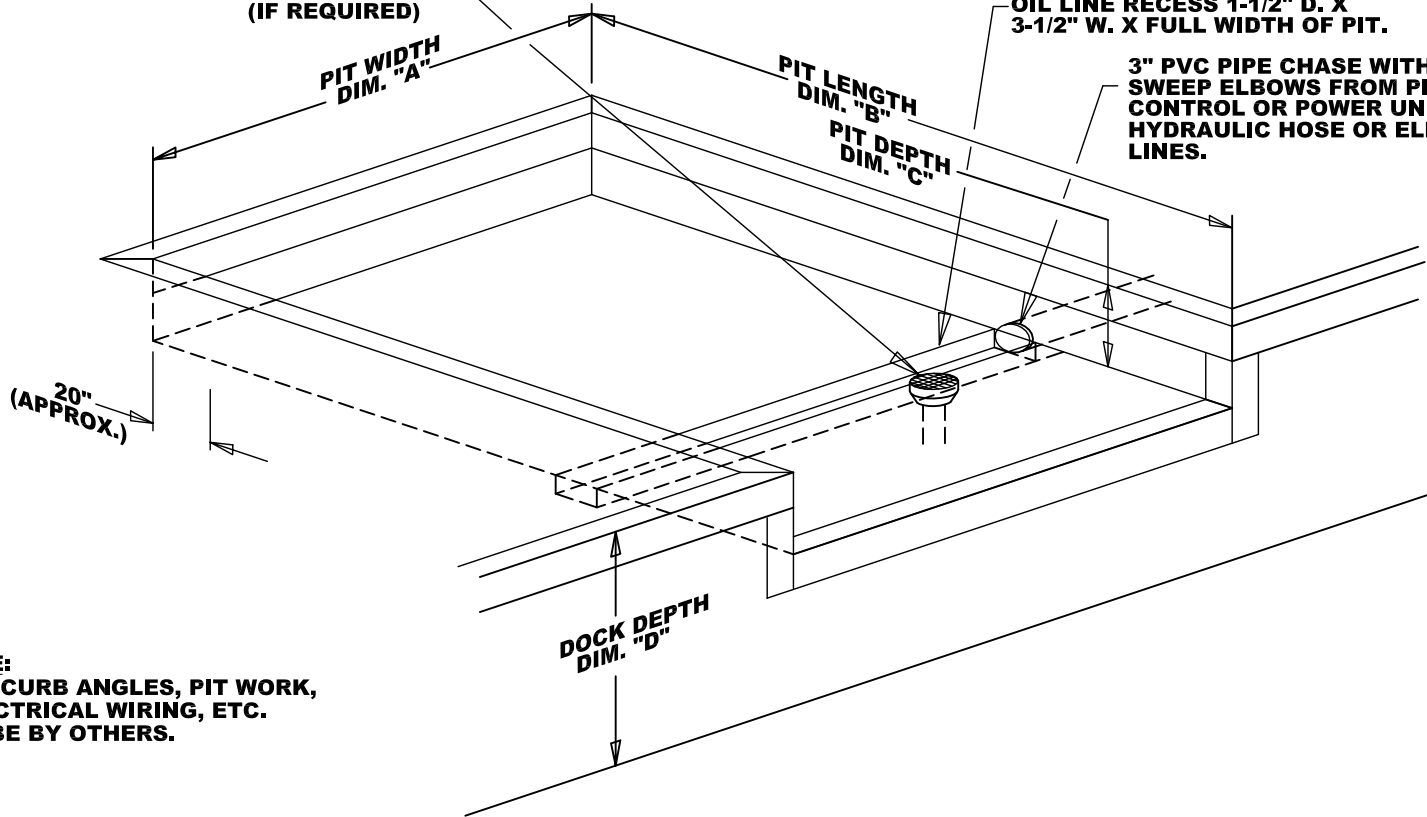
- DIMENSION "A" = PLATFORM WIDTH PLUS 2"
- DIMENSION "B" = PLATFORM LENGTH PLUS 1"
- DIMENSION "C" = LIFT HEIGHT PLUS 1/2" FOR LEVELING PURPOSES.
- DIMENSION "D" = EXISTING DOCK HEIGHT.

PROVIDE ADEQUATE DRAINAGE TO PREVENT PIT FROM FILLING WITH WATER. (IF REQUIRED)

OIL LINE RECESS 1-1/2" D. X 3-1/2" W. X FULL WIDTH OF PIT.

3" PVC PIPE CHASE WITH LONG RADIUS SWEEP ELBOWS FROM PIT TO CONTROL OR POWER UNIT LOCATION FOR HYDRAULIC HOSE OR ELECTRICAL LINES.

PROVIDE DRAINAGE FROM PIT OR SLOPE PIT FLOOR SLIGHTLY TOWARDS OPENING IN FACE OF LOADING DOCK AND LEVEL LIFT WITH SHIMS AND OR GROUT.



3-SIDED PIT DETAIL

THIS PROPOSAL DRAWING IS GENERIC BY DESIGN AND IS FOR REFERANCE ONLY. PLEASE CONTACT AUTOQUIP FOR JOB SPECIFIC APPROVAL DRAWINGS.

(NOT TO SCALE)
 PROPOSAL DRAWING
 QUOTE NO. _____



AUTOQUIP CORP.
 1058 W.INDUSTRIAL AVE.
 GUTHRIE, OK 73044-1058
 888-811-9876 WWW.AUTOQUIP.COM