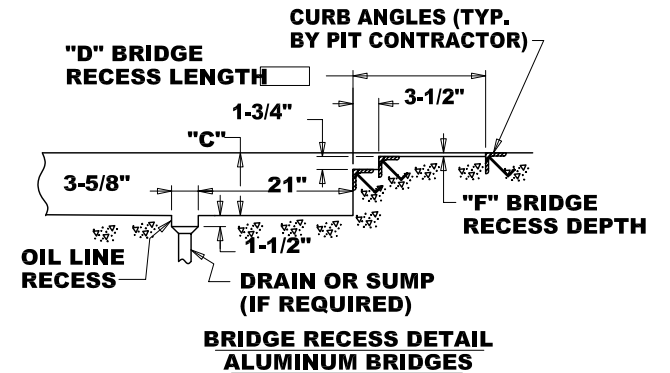
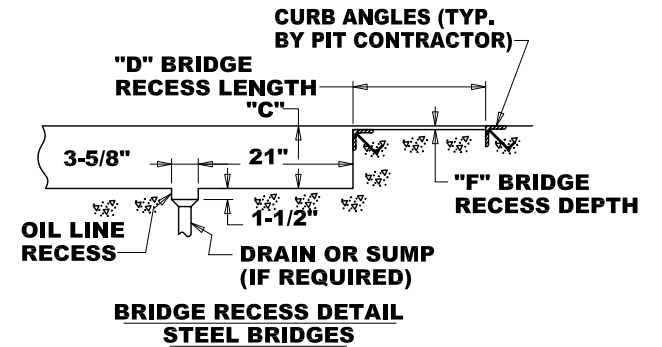


MODEL	PLATFORM	"A" PIT WIDTH	"B" PIT LENGTH w/BRIDGE	"B" PIT LENGTH w/o BRIDGE	"C" PIT DEPTH
PLT-C PLT-6050 PLT-6060	71-1/2" x 96"	73-1/2"	98-1/2"	98"	8-1/2"
PLT-6050A PLT-6060A	96" x 96"	98"	98-1/2"	98"	8-1/2"
PLT-6050S PLT-6060S	72" x 120"	74"	122-1/2"	122"	8-1/2"
PLT-6050B PLT-6060B	84" x 120"	86"	122-1/2"	122"	8-1/2"
PLT-6070 PLT-6080 PLT-60100	72" x 100"	74"	102-1/2"	102"	12-1/2"
PLT-6070A PLT-6080A PLT-60100A	96" x 100"	98"	102-1/2"	102"	12-1/2"
PLT-6070S PLT-6080S PLT-60100S	72" x 120"	74"	122-1/2"	122"	12-1/2"
PLT-6070B PLT-6080B PLT-60100B	84" x 120"	86"	122-1/2"	122"	12-1/2"

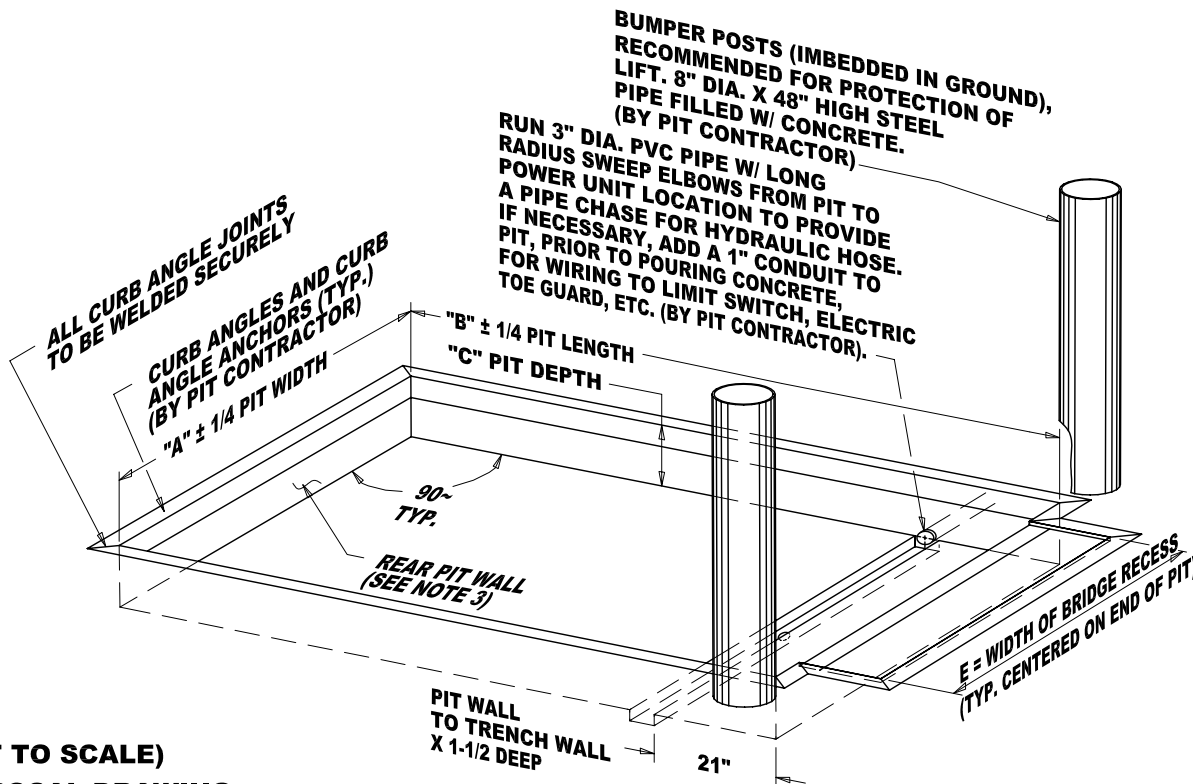
D = BRIDGE RECESS LENGTH = BRIDGE LENGTH
 E = BRIDGE RECESS WIDTH = BRIDGE WIDTH + 2"
 F = BRIDGE RECESS DEPTH = BRIDGE THICKNESS + 1/4"



NOTES:

1. ALL CURB ANGLES, PIT WORK, ELECTRICAL WIRING, ETC. TO BE BY OTHERS.
2. LOCATION OF BASE FRAME MOUNTING HOLES DETERMINED WITH SELECTION OF LIFT. ANCHORS TO BE IN SOUND CONCRETE AND RESIST UPWARD PULL OF 2,000 LBS. IN EACH CORNER.
3. ALL PIT WALLS TO BE PLUMB. REVERSE SLOPE OF 1/4" IS PERMISSIBLE.

THIS PROPOSAL DRAWING IS GENERIC BY DESIGN AND IS FOR REFERENCE ONLY. PLEASE CONTACT AUTOQUIP FOR JOB SPECIFIC APPROVAL DRAWINGS.



(NOT TO SCALE)
 PROPOSAL DRAWING
 QUOTE NO. _____

PLT - 4-SIDED PIT DETAIL



AUTOQUIP CORP.
 1058 W. INDUSTRIAL AVE.
 GUTHRIE, OK 73044-1058
 888-811-9876 WWW.AUTOQUIP.COM