

THIS PROPOSAL DRAWING IS GENERIC BY DESIGN AND IS FOR REFERENCE ONLY. PLEASE CONTACT AUTOQUIP FOR JOB SPECIFIC APPROVAL DRAWINGS.

MODEL NO: _____

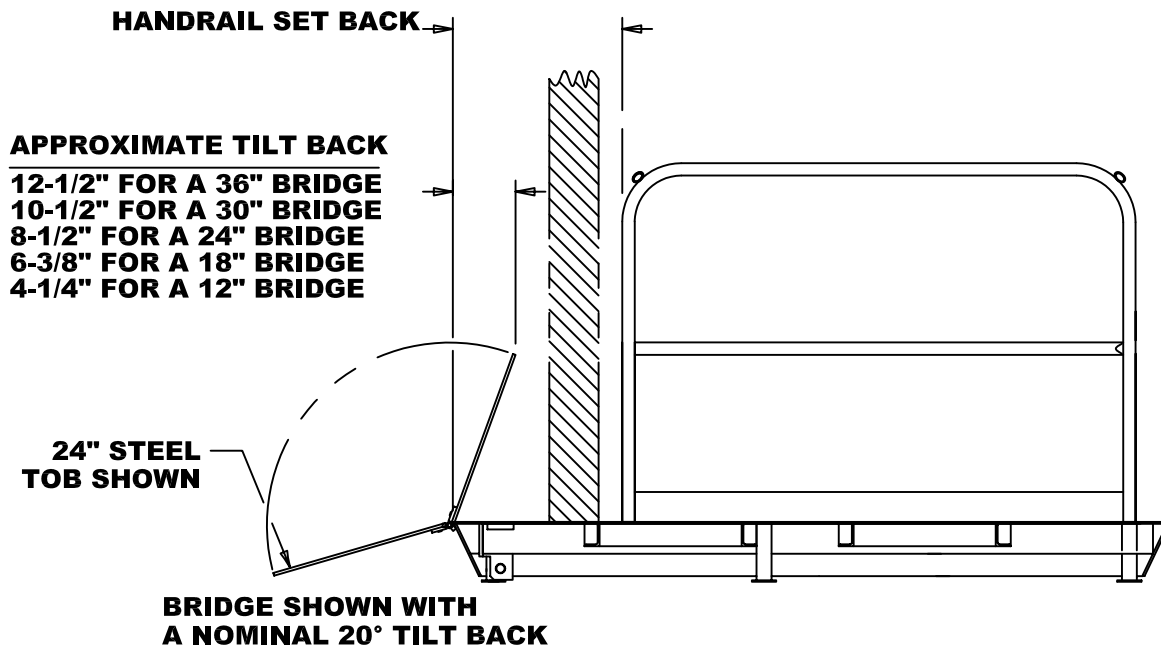
HANDRAIL SETBACK: _____

DOOR LOCATION: _____

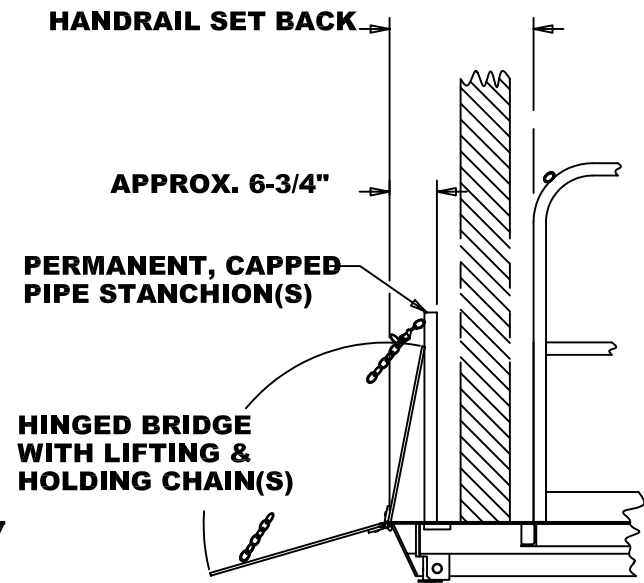
BRIDGE SIZE: _____

METHOD: _____

THROW-OVER BRIDGE TILT BACK IS ANOTHER CONCERN WHEN OFFSETTING HANDRAILS FOR OVERHEAD DOORS



STANDARD METHOD



OPTIONAL METHOD

HANDRAIL & BRIDGE CLEARANCES FOR OVERHEAD DOORS

(NOT TO SCALE)
 PROPOSAL DRAWING
 QUOTE NO. _____

