

**NOTES:**

1. **BASE AND PLATFORM PIVOT POINTS ARE EQUIPPED WITH LIFETIME LUBRICATED BEARINGS.**
2. **TILTER TO BE PAINTED AQ STANDARD ENAMEL.**
3. **MEETS OR EXCEEDS ANSI MH29.2 STANDARD FOR INDUSTRIAL TILTERS.**

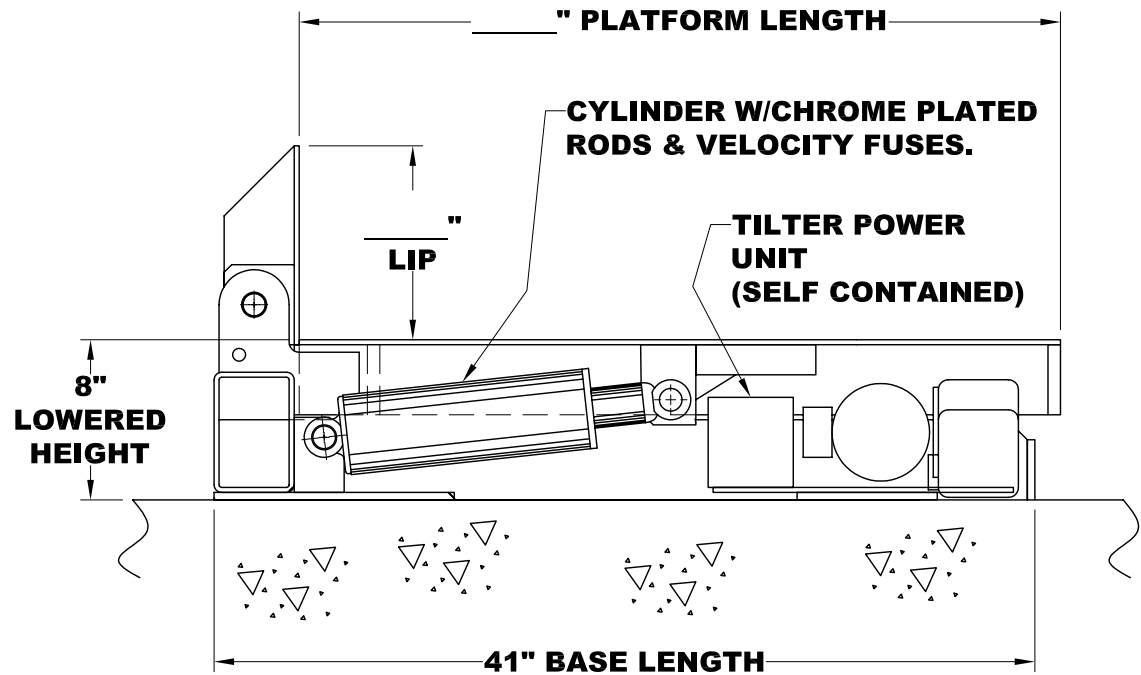
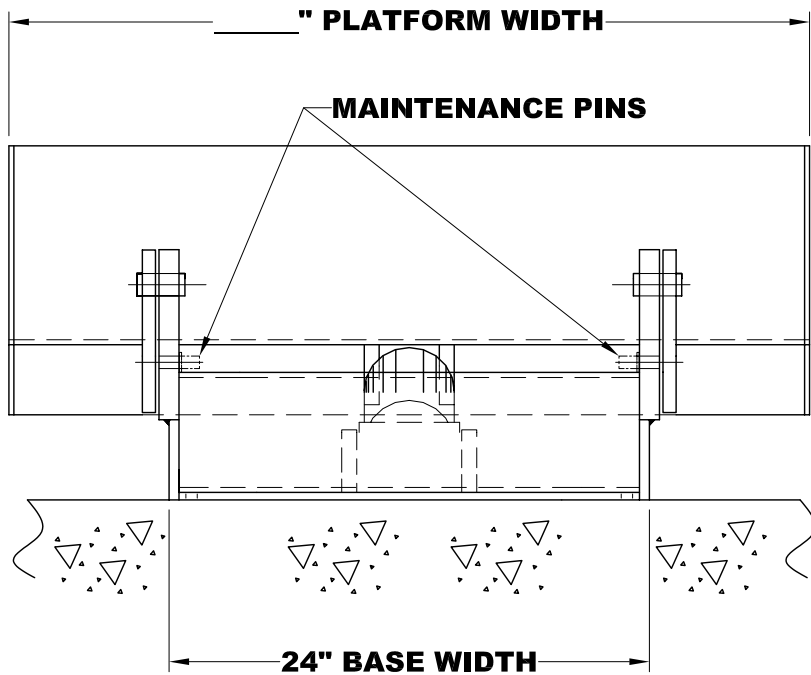
**MODEL NO:** \_\_\_\_\_

**MAX CAPACITY:** \_\_\_\_\_

**LOWERED HEIGHT:** \_\_\_\_\_ **8"** \_\_\_\_\_

**TILT:** \_\_\_\_\_

**POWER UNIT, CONTROLS, AND ACCESSORIES PER QUOTATION.**



**THIS PROPOSAL DRAWING IS GENERIC BY DESIGN AND IS FOR REFERENCE ONLY. PLEASE CONTACT AUTOQUIP FOR JOB SPECIFIC APPROVAL DRAWINGS.**

***STE TILTER***

(NOT TO SCALE)  
 PROPOSAL DRAWING  
 QUOTE NO. \_\_\_\_\_

***Autoquip***

**AUTOQUIP CORP.**  
 1058 W.INDUSTRIAL AVE.  
 GUTHRIE, OK 73044-1058  
 888-811-9876 WWW.AUTOQUIP.COM