

NOTES:

1. ALL AXLES, ROLLERS AND PIVOT POINTS ARE EQUIPPED WITH LIFE-TIME LUBRICATED BEARINGS.
2. LIFT TO BE PAINTED AQ STANDARD ENAMEL.
3. MEETS OR EXCEEDS ANSI MH29.1 STANDARD FOR INDUSTRIAL SCISSORS LIFTS.

MODEL NO: _____

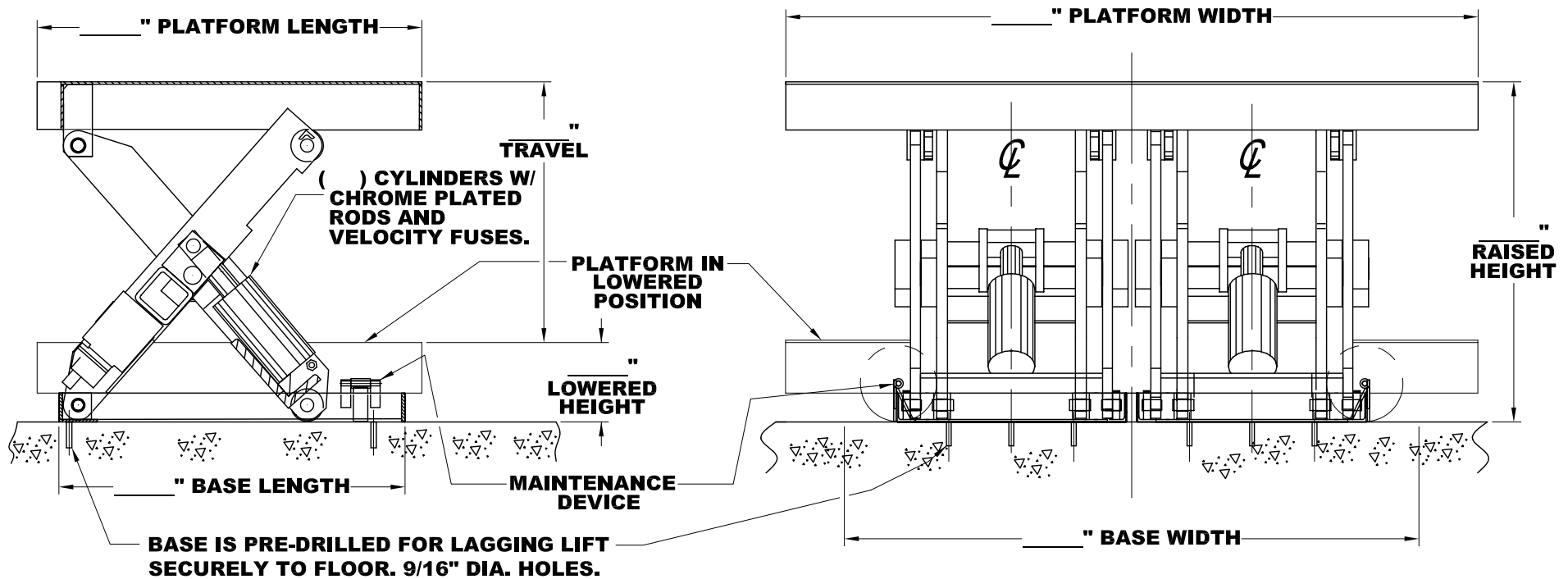
MAX CAPACITY: _____

LOWERED HEIGHT: _____

TRAVEL: _____

RAISED HEIGHT: _____

POWER UNIT, CONTROLS, AND ACCESSORIES PER QUOTATION.



THIS PROPOSAL DRAWING IS GENERIC BY DESIGN AND IS FOR REFERENCE ONLY. PLEASE CONTACT AUTOQUIP FOR JOB SPECIFIC APPROVAL DRAWINGS.

SERIES 35 - DOUBLE WIDE

(NOT TO SCALE)

PROPOSAL DRAWING

QUOTE NO. _____

82601230

© COPYRIGHT RESERVED
 AUTOQUIP CORPORATION
 2002

Autoquip

**AUTOQUIP CORP.
 1058 W. INDUSTRIAL AVE.
 GUTHRIE, OK 73044-1058
 888-811-9876 WWW.AUTOQUIP.COM**