

82601170

NOTES:

- 1. ALL AXLES, ROLLERS AND PIVOT POINTS ARE EQUIPPED WITH LIFE-TIME LUBRICATED BEARINGS.
- 2. LIFT TO BE PAINTED AQ STANDARD ENAMEL.
- 3. MEETS OR EXCEEDS ANSI MH29.1 STANDARD FOR INDUSTRIAL SCISSORS LIFTS.

MODEL NO: _____

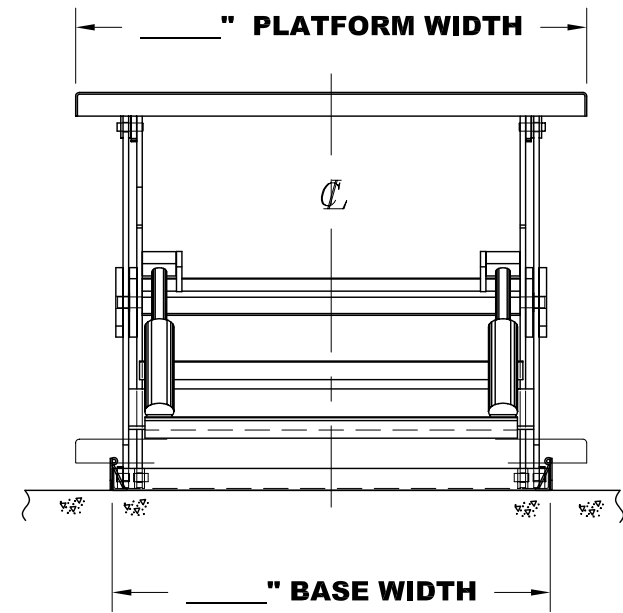
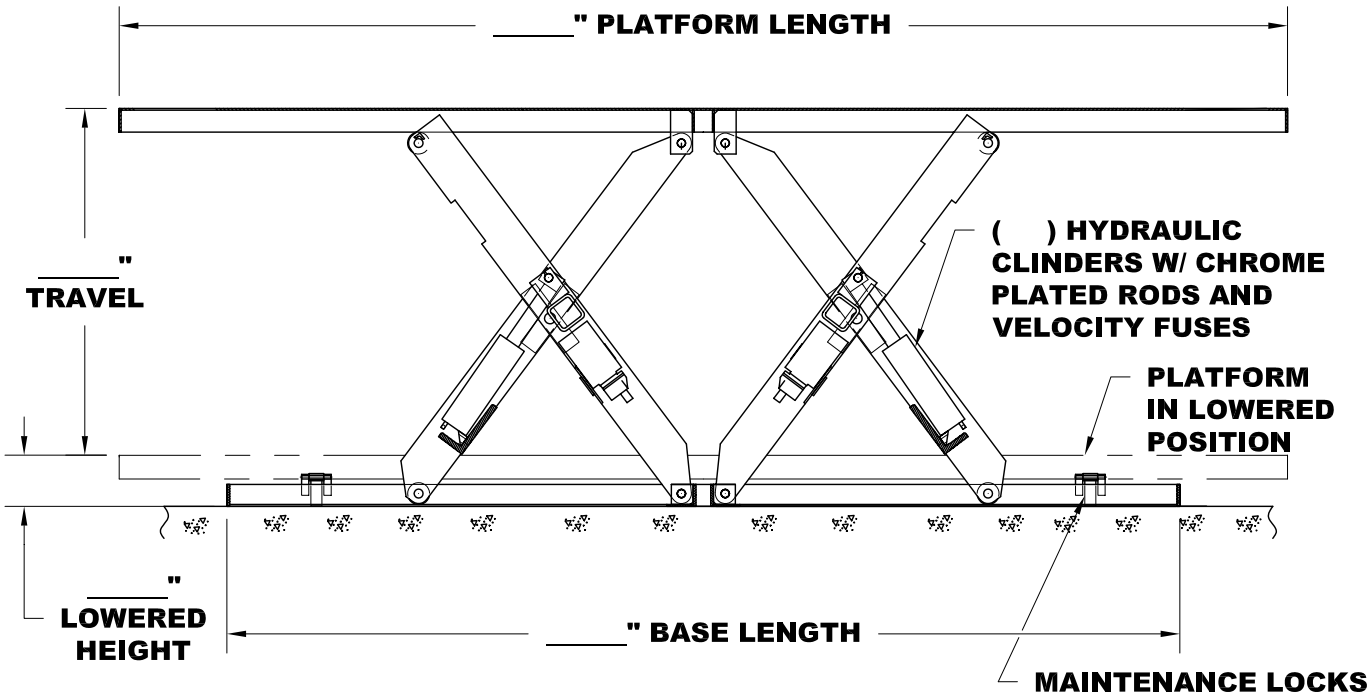
MAX CAPACITY: _____

LOWERED HEIGHT: _____

TRAVEL: _____

RAISED HEIGHT: _____

POWER UNIT, CONTROLS, AND ACCESSORIES PER QUOTATION.



SERIES 35 EXTRA WIDE DOUBLE LONG

THIS PROPOSAL DRAWING IS GENERIC BY DESIGN AND IS FOR REFERENCE ONLY. PLEASE CONTACT AUTOQUIP FOR JOB SPECIFIC APPROVAL DRAWINGS.

(NOT TO SCALE)

PROPOSAL DRAWING

QUOTE NO. _____

82601170

REV. 1, 5-31-02

© COPYRIGHT RESERVED
AUTOQUIP CORPORATION
2002



AUTOQUIP CORP.
1058 W.INDUSTRIAL AVE.
GUTHRIE, OK 73044-1058
888-811-9876 WWW.AUTOQUIP.COM