

**NOTES:**

1. ALL AXLES, ROLLERS AND PIVOT POINTS LUBRICATED BEARINGS.
2. LIFT AND TILTER TO BE PAINTED AQ STANDARD ENAMEL.
3. MEETS OR EXCEEDS ANSI MH29.1 AND MH29.2 STANDARDS FOR INDUSTRIAL SCISSORS LIFTS & TILTERS.

**HELPFUL HINTS:**

- \*FORMULA FOR SELECTING LIFT:  
TOTAL LOAD + TILTER WEIGHT=  
MAX. END LOAD OF LIFT TABLE.
- \*TILTER CAN BE MOUNTED ON STANDARD LIFT PLATFORM.
- \*TILTER PLATFORM WIDTH NOT TO EXCEED MAXIMUM ALLOWABLE PLATFORM WIDTH OF SCISSORS LIFT.
- \*TILTERS ARE MOUNTED TO TILT OVER ROLLER END OF LIFT ONLY.

MODEL NO: \_\_\_\_\_

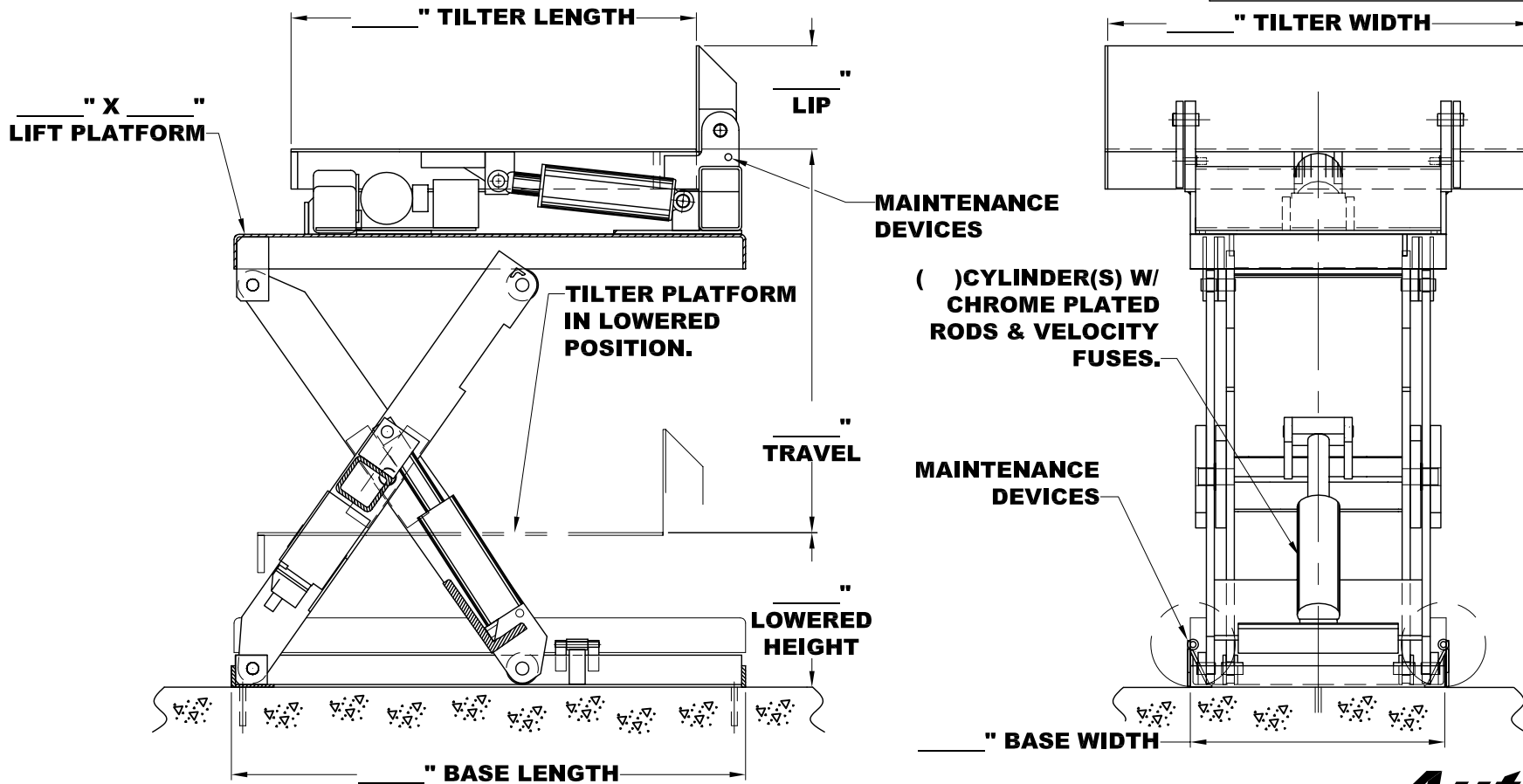
MAX CAPACITY: \_\_\_\_\_

LOWERED HEIGHT: \_\_\_\_\_

TRAVEL: \_\_\_\_\_

TILT: \_\_\_\_\_

**POWER UNIT, CONTROLS, AND ACCESSORIES PER QUOTATION.**



THIS PROPOSAL DRAWING IS GENERIC BY DESIGN AND IS FOR REFERENCE ONLY. PLEASE CONTACT AUTOQUIP FOR JOB SPECIFIC APPROVAL DRAWINGS.

(NOT TO SCALE)  
PROPOSAL DRAWING  
QUOTE NO. \_\_\_\_\_  
82600400

**HYDRAULIC LIFT & TILT**



**AUTOQUIP CORP.**  
1058 W.INDUSTRIAL AVE.  
GUTHRIE, OK 73044-1058  
888-811-9876 WWW.AUTOQUIP.COM

© COPYRIGHT RESERVED  
AUTOQUIP CORPORATION  
2006