

NOTES:

1. ALL AXLES, ROLLERS, AND PIVOT POINTS ARE EQUIPPED WITH LIFETIME LUBRICATED BEARINGS.
2. LIFT TO BE PAINTED AQ STANDARD ENAMEL.
3. MEETS OR EXCEEDS ANSI MH29.1 STANDARD FOR INDUSTRIAL SCISSORS LIFTS.

THIS PROPOSAL DRAWING IS GENERIC BY DESIGN AND IS FOR REFERENCE ONLY. PLEASE CONTACT AUTOQUIP FOR JOB SPECIFIC APPROVAL DRAWINGS.

MODEL NO: _____

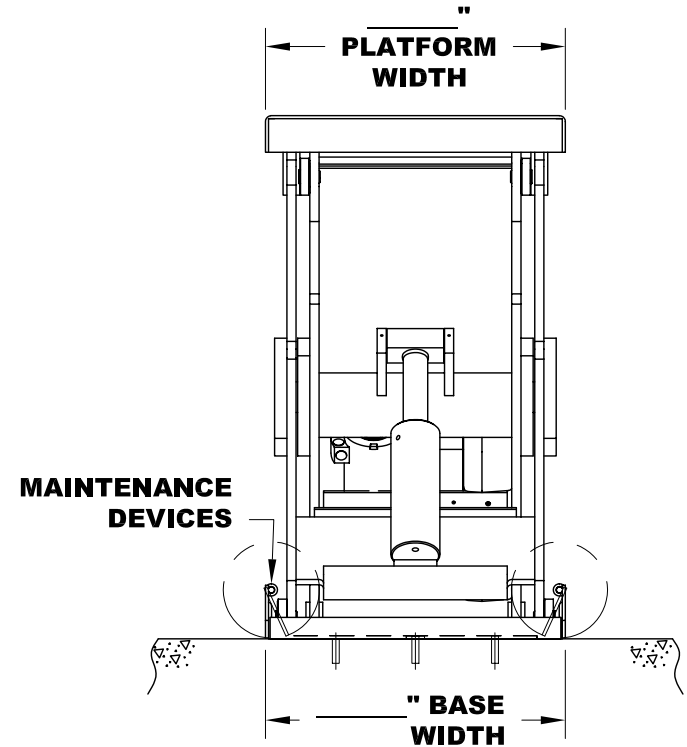
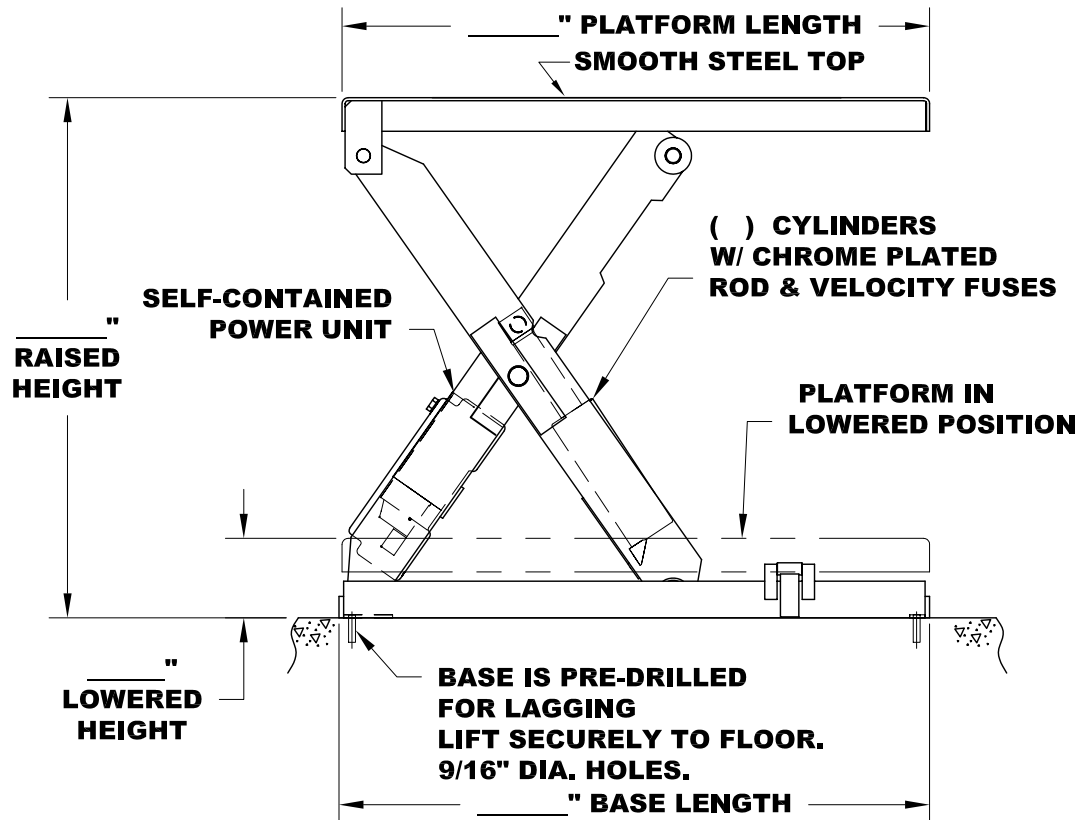
MAX CAPACITY: _____

LOWERED HEIGHT: _____

TRAVEL: _____

RAISED HEIGHT: _____

POWER UNIT, CONTROLS, AND ACCESSORIES PER QUOTATION.



SERIES 35 - SURFACE MOUNTED

MINIMUM PLATFORM SIZE

(NOT TO SCALE)
PROPOSAL DRAWING
QUOTE NO. _____