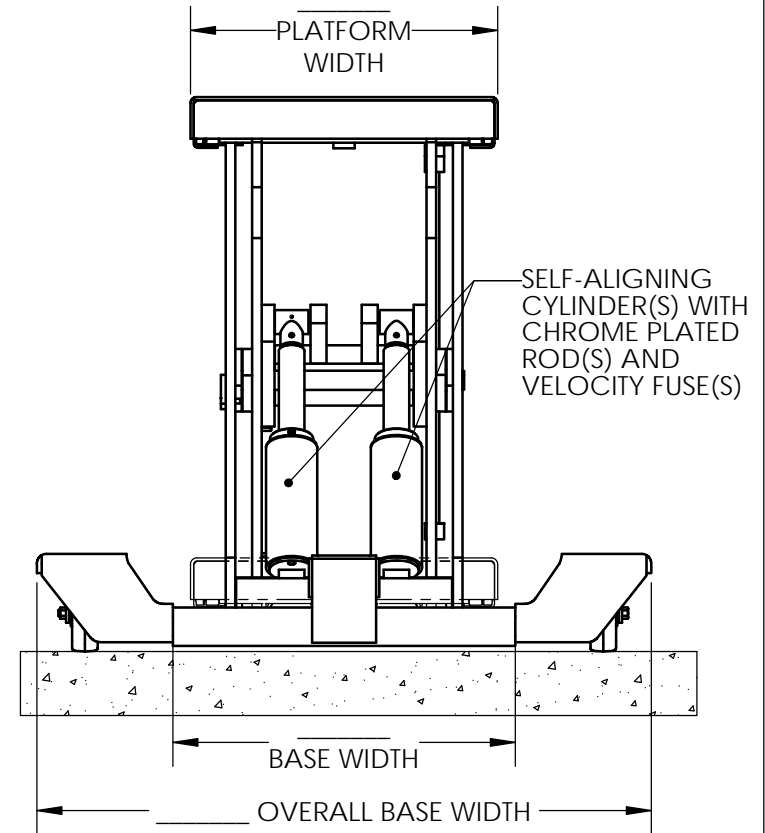
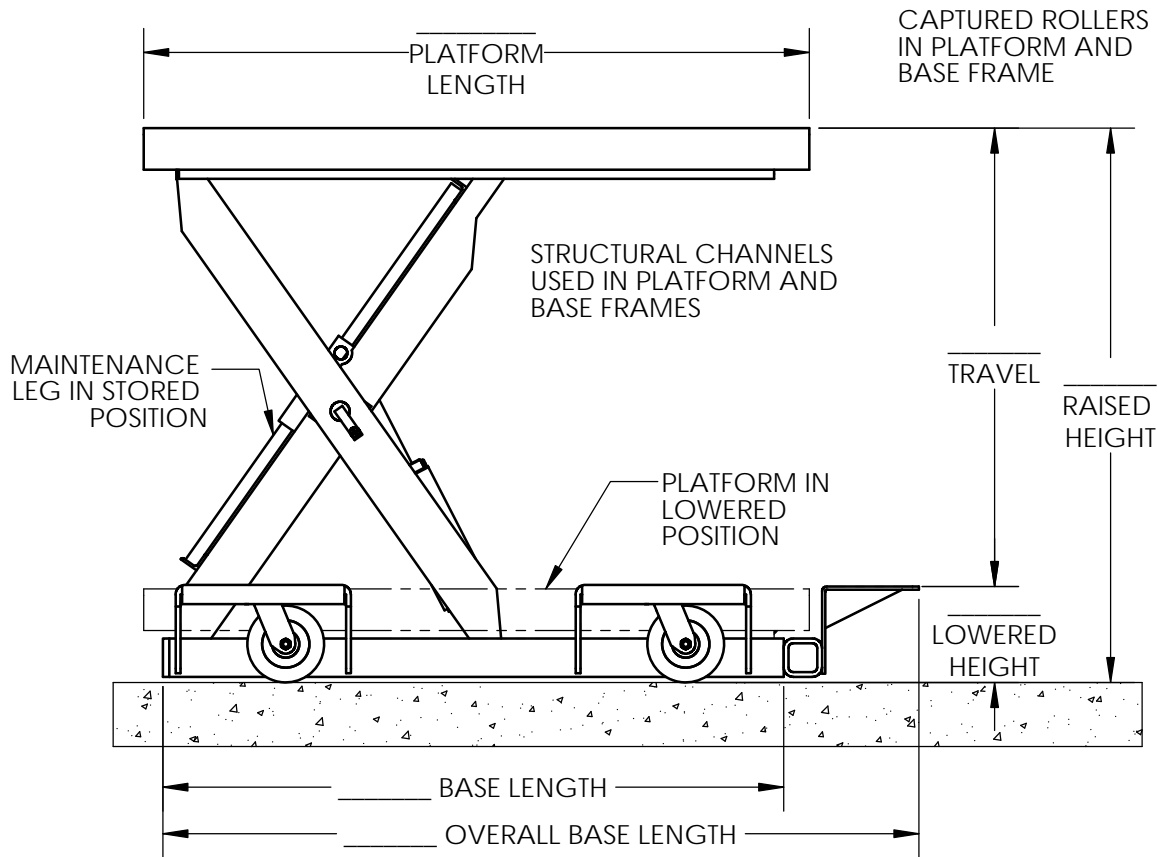


NOTES:

1. ALL PIVOT POINTS ARE EQUIPPED WITH LIFETIME LUBRICATED, HIGH IMPACT BEARINGS.
2. 2000 PSI MAXIMUM OPERATING PRESSURE.
3. LIFT TO BE PAINTED AQ STANDARD ENAMEL.
4. MEETS OR EXCEEDS ANSI MH29.1 STANDARD FOR INDUSTRIAL SCISSOR LIFTS.

THIS PROPOSAL DRAWING IS GENERIC BY DESIGN AND IS FOR REFERENCE ONLY. PLEASE CONTACT AUTOQUIP FOR JOB SPECIFIC APPROVAL DRAWINGS.

MODEL NO:	
MAX. CAPACITY:	
LOWERED HEIGHT:	
TRAVEL:	
RAISED HEIGHT:	
POWER UNIT, CONTROLS, AND ACCESSORIES PER QUOTATION.	



T1 - TRANSPORT
SIDE MOUNTED CASTERS

(NOT TO SCALE)
PROPOSAL DRAWING
QUOTE NO. _____
82602640

2012 COPYRIGHT RESERVED
AUTOQUIP CORPORATION

American Lifts™

BY AUTOQUIP CORP.
1058 W. INDUSTRIAL AVE.
GUTHRIE, OK 73044-1058
888-811-9876 WWW.AUTOQUIP.COM